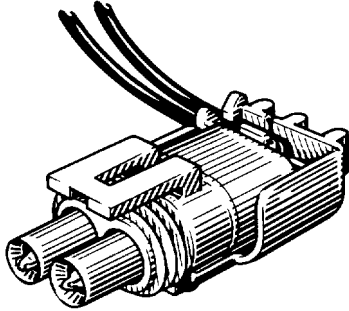


**Sec. 12****GM SOCKET ASSY. & HARNESS CONNECTORS**

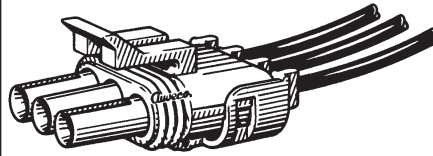
Use with butt connectors on pages 139 - 147 • Illustrations Not Actual Size

**16962**

(Not Supplied By O.E.M.)

Harness Connector used with GM Mixture Control Solenoid Kits 17067343, 17067344 and 17111102 on 2 & 4 barrel Rochester Varajet Carburetors. For GM cars and trucks 1980-On

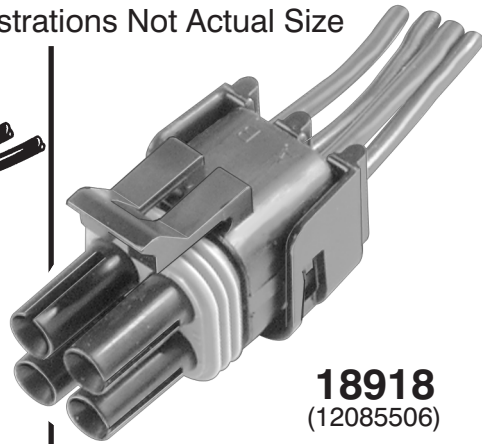
UNIT PACKAGE: 1

**17198**

(Not Supplied By O.E.M.)

Throttle Position Sensor Harness Connector Fits Sensor 17078051, 17078448 & 17078481 On 2 & 4 Barrel Rochester Carburetors GM 1990-80

UNIT PACKAGE: 1

**18918**

(12085506)

Fuel Injection Idle Air Control Valve, Stoplight Switch & Torque Converter Clutch Valve Harness Connector GM 1985-On

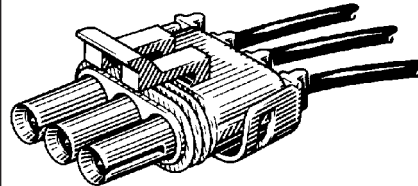
UNIT PACKAGE: 1

**19882**

(12085485)

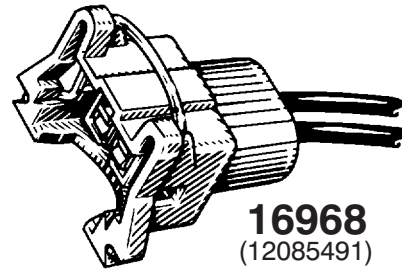
Back-Up Light Switch & Speed Sensor Harness Connector Used With Switch 23049569, PT107 & IACV Motor GM 1971-On

UNIT PACKAGE: 1

**16964**(12085502)  
Green

Manifold Absolute Pressure (MAP) Harness Connector. Fits GM MAP Sensor 16137039 on GM vehicles (38 models) 1982-on

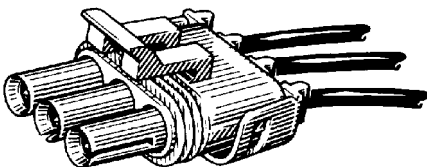
UNIT PACKAGE: 1

**16968**

(12085491)

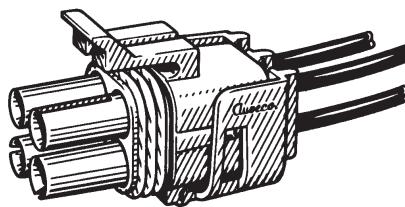
Fuel Injector Solenoid Harness Connector. Fits GM Multi-Port Fuel Injector 1711799 on 2.8 and 3.1 liter engines (27 models) 1986-On Also fits Fuel Injectors on Ford, Chrysler & Imports (Bosch)

UNIT PACKAGE: 1

**16965**(12085507)  
Gray

Air Conditioner Pressure Switch Harness Connector Used on GM vehicles (28 models) 1988-84

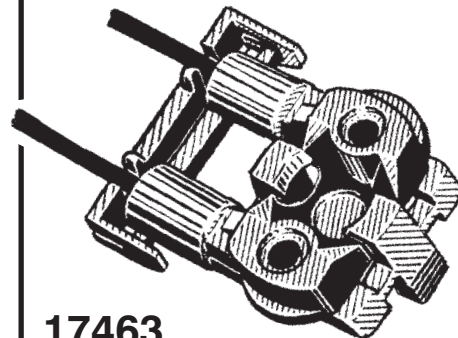
UNIT PACKAGE: 1

**17199**

(12085533)

Transmission Converter Clutch Harness Connector 3 Wires (Cavity "C" is Not Wired) GM 1990-84

UNIT PACKAGE: 1

**17463**

(12102568)

Fuel Injector Connector For TBI (Throttle Body Injector) Systems All GM (Including Trucks) 1978-On

UNIT PACKAGE: 1