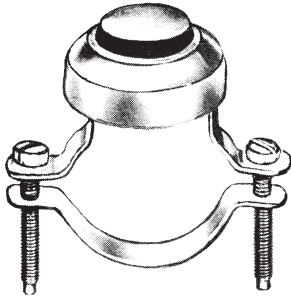


PUSH BUTTON SWITCH
Heavy Duty Construction



12078

Horn Button

UNIT PACKAGE: 1

PUSH-PULL SWITCHES

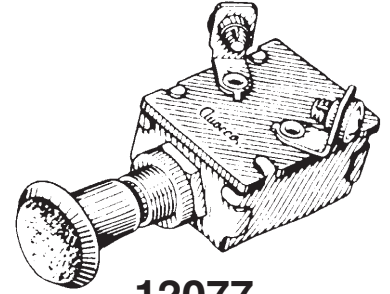
Not Actual Size



13552

Marine Switch
3 Position "Off-On-On"
First 'On' position energizes one circuit. In second "On" position both circuits are energized.
Mounting stem 1-1/4" long. 3/8" diameter. Brass hex back-up nut, brass washer, chrome plated brass face nut and chrome plated knob.
15 Amps @ 12 Volts

UNIT PACKAGE: 1



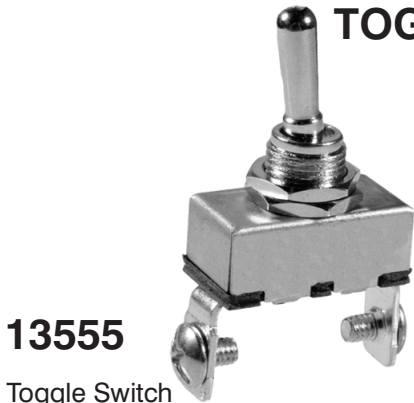
12077

Push-Pull Switch
Heavy duty. 2 position "Off-On" switch w/2 Screw Terminals.

25 Amps @ 6 Volts
15 Amps @ 12 Volts

UNIT PACKAGE: 1

TOGGLE & ROCKER SWITCHES



13555

Toggle Switch
Rating: 35 Amps @ 6 Volts
20 Amps @ 12 Volts
S.P. S.T. "Off-On". All brass
Mounting stem 3/8" long. 7/16" diameter with 7/16" x 28 threads.

UNIT PACKAGE: 1



13630

S.P. S.T. Toggle Switch - "Off-On"
Phenolic housing. Mounting stem 15/32" long; 15/32" diameter.
2 screw terminals. Bat handle
Rating: 15 Amps 125 Volts AC
10 Amps 250 Volts AC
3/4 HP 120-240 Volts AC

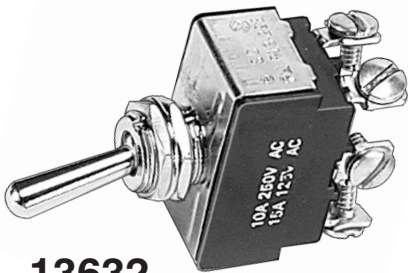
UNIT PACKAGE: 1



13629

S.P. S.T. Toggle Switch - "Off-On"
Two 6" Wire Leads. With nickel plated "Off-On" indicator plate assembled. Mounting stem 3/8" long. 15/32" diameter. Bat handle.
Rating: 15 Amps 12 Volts DC
6 Amps 125 Volts AC

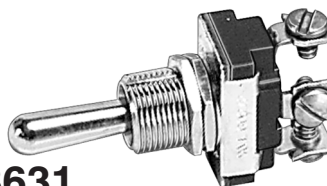
UNIT PACKAGE: 1



13632

D.P. D.T. Toggle Switch
"On-Off-On"
Phenolic housing. Mounting stem 15/32" long, 15/32" diameter.
6 screw terminals
Rating: 15 Amps 125 Volts AC
10 Amps 250 Volts AC
3/4 HP 120-240 Volts AC

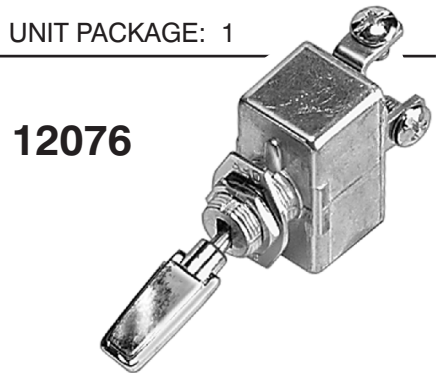
UNIT PACKAGE: 1



13631

S.P. D.T. Toggle Switch
"On-Off-On"
Phenolic Housing.
Mounting stem 15/32" long.
15/32" Diameter. 3 Screw Terminals. Bat handle.
Rating:
15 Amps 125 Volts AC
10 Amps 250 Volts AC
3/4 HP 120-240 Volts AC

UNIT PACKAGE: 1



12076

Heavy Duty Toggle Switch
2 position "On-Off"
For 35 Amp. 6-12 Volt DC. 15/32" Stem Diameter. Low Voltage -High Amp Application. Chrome Plated Handle.

UNIT PACKAGE: 1