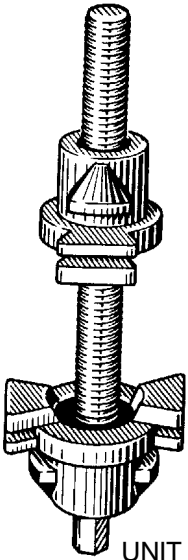


Sec. 20

FORD PRODUCTS CLIPS & FASTENERS



16397
(E8FZ-13032B,
E8EB-13A093BA)
Horizontal Adjuster,
Escort & Lynx
1990-88

UNIT PACKAGE: 5



11660
(DOZB-13A-093-AA)
Zinc Screw &
Phosphate Plate

1/4"-28 x 2"
Headlight Adjusting Screw
& Nut Assembly
Ford Cars & Medium Duty Trucks
1973-On

UNIT PACKAGE: 10

11661

Same as 11660
Except Packing

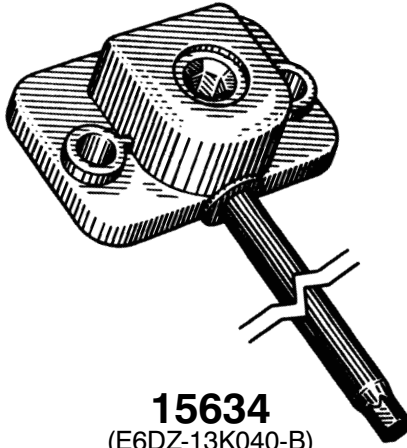
UNIT PACKAGE: 25



12609
(D9ZB-13A093 AA)

#12-28 x 1-3/4"
Headlight
Adjusting Screw
& Nut Assembly
Ford
1979-On

UNIT PACKAGE: 10



15634
(E6DZ-13K040-B)

Headlight Adjuster
Escort & Lynx 1985-On
Sable & Taurus 1986-On

UNIT PACKAGE: 1



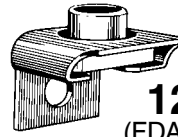
11869
(D8BZ-13032A, B,
D8BB-13M-093AA)
Zinc

#12-28 x 1-3/4"
Headlight Adjusting
Screw & Nut Assembly
Ford 1978-On

UNIT PACKAGE: 10

11870

Same as 11869 Except Packing
UNIT PACKAGE: 100



12228
(FDA13021-A)
Zinc-Nylon Nut

1/4"-28 Thread
Headlight Adjusting Nut Mount
Ford
1980-On

UNIT PACKAGE: 10



21185
(W710793-S439)
Zinc Organic

Headlight Mounting Clip
M6-1.0 Thread
Ford Super Duty Pick-Up
2009 - 08

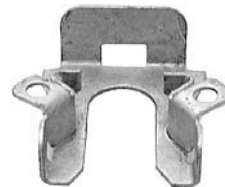
UNIT PACKAGE: 10



18899
(F1CZ-13A147A)
Black Nylon

Headlight Pivot Socket
Escort & Tracer
1991-On

UNIT PACKAGE: 25



15940
(E9DB-13N020AA, E9DZ-13N129A)

Headlight Component
Pivot Retaining Clip
Ford Taurus & T-Bird and
Mercury Cougar & Sable
1989-On

UNIT PACKAGE: 25