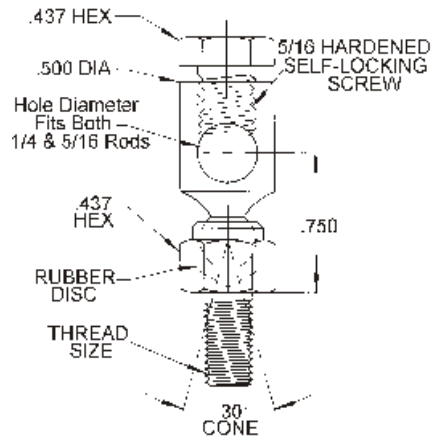


Damper Control Swivels

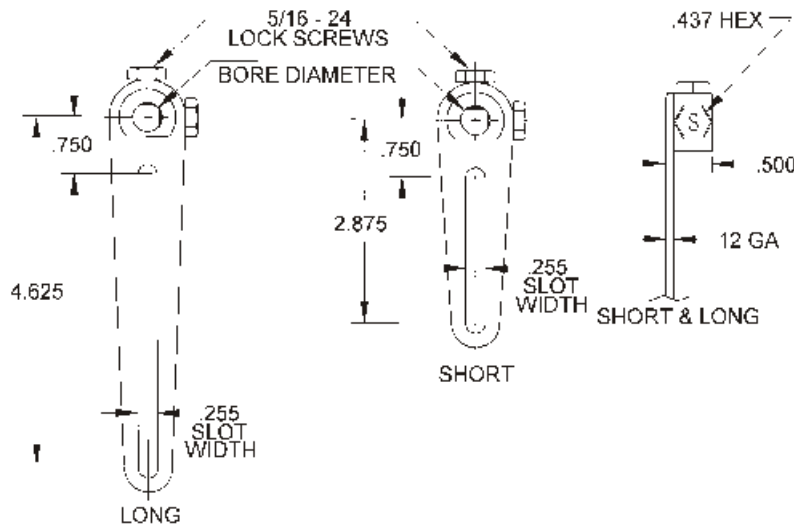
The units are made from low carbon steel and are plated and dichromate treated for corrosion resistance. The set screws are made of low carbon steel, plated and dichromate treated for corrosion resistance. Set screws are case hardened. A rubber disc is used in the assembly.

Only Available Fully Assembled



Thread Size	Damper Control Swivels			
	Auveco Part Number Less nut and washer	Unit Pkg	Auveco Part Number With nut and washer	Unit Pkg.
1/4-28 x 9/16"	12303	2	12047	3
1/4-20 x 7/16"	12304	2	12048	3
1/4-20 x 9/16"	12305	2	12049	3
5/16-24 x 3/4"	12300	2	12307	2

Crank Arms (12 Gauge Steel)



Auveco Part No.	Description	Bore Diameter	Unit Pkg.
12050	Short Series Crank Arm for 3/8" Shaft	.385/.389	1